



HIGH RELIABILITY Vacuum Pump



KSK VACUUM TECHNOLOGY SDN BHD
Add: 26, Jalan Kempas 2/3, Kawasan Perindustrian Tanah Tampoi,
81200 Johor Bahru, Malaysia
Tel: 07-238 3838 Mob: +60197777771
Fax: 07-234 2323 Email: sales@kskvacuum.com
Http: //myvac.my/

HIGH RELIABILITY

It's not just about the promise, It's about the system engineering

[Http: //myvac.my/](http://myvac.my/)



High Quality Manufacturing

MYVAC is fully equipped with modernized processing and testing instruments, such as Japanese DMG Mori Seiki horizontal machining center, Japanese OKUMA- BYJC vertical machining center, German WENZEL three coordinates measuring equipment, etc. We carry out ERP data management and lean production management system.

Precision Measure Industry Benchmark

Our products are qualified with world's most advanced quality level. We have European CE, American UL, Canada CSA safety certificates and German TUV ISO9001 certificate. And we also own product failure analysis lab, the constant temperature and humid workshop, new product trial center.

CONTENTS

01 | **VP** Single-stage rotary vane vacuum pump

VP-20/22/28/40/65
100/160/200/300



09 | **HVP** Dual-stage rotary vane vacuum pump

HVP-4/8/16/24/30
48/65/90



14 | **HVP-C** Dual-stage anti-corrosion vane rotary vacuum pump

HVP-8M/16M/30M
48M/65M



17 | **HDC** Dual-stage DC brushless rotary vane vacuum pum

HDC-4/8/12



21 | **HRI** Dual-stage rotary vane vacuum pump

HRI-2/4/8



25 | Original Accessory



Meet the Needs of Different Industries

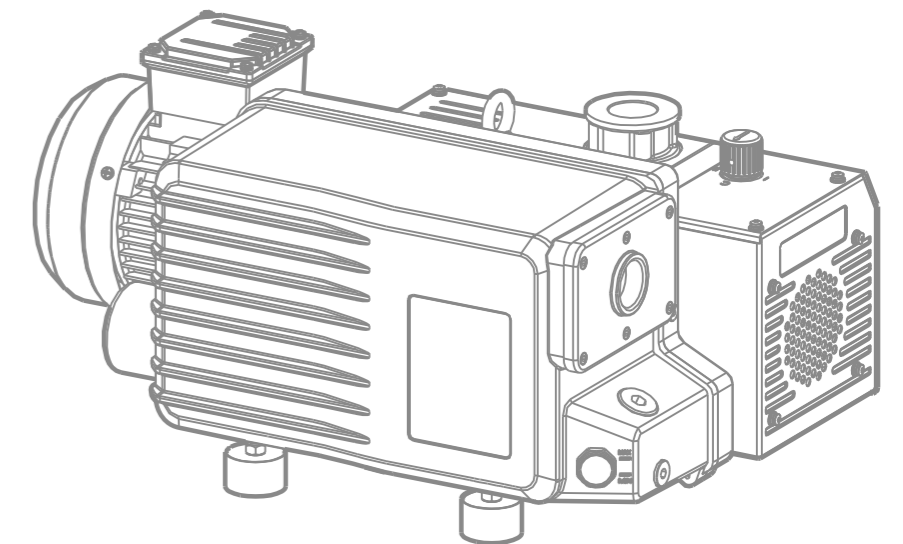


VACUUM PUMP

VP

Single-stage Rotary Vane Vacuum Pump

Vacuum technology plays a crucial role in industrial field, and we have been exploring the application of vacuum pump in different industries. Understand what the customer concerns most: used to removing certain amount of condensable gas, no oil exhaust, no oil leakage, no emulsification of pump oil, high reliability...



VP-20

Pumping speed: 20m³/h

Single-stage rotary vane vacuum pump

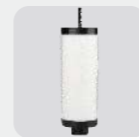


Product feature

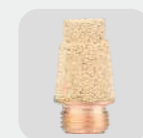
- Excellent performance**
 Integral pump structure, require higher accuracy; Proven vanes technology, makes the performance more stable; Ensure the pump system with higher reliability.
- Excellent heat dissipation**
 Air-cooled structure, without external water cooling system, reduce the installation and maintenance costs.
- Clean and green**
 Built-in high quality oil mist filter, which can effectively filter oil mist, avoid oil mist pollution, protect the environment clean.
- FKM seals**
 Improve corrosion resistance and solve the problem of oil leakage.
- Anti-suckback structure**
 Protect the vacuum system from oil contamination after shutdown.
- Compact structure**
 Integrated design between pump and motor, lighter, smaller, the size is satisfied all kinds of application.



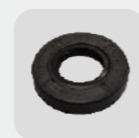
Anti-suckback valve



Built-in oil mist filter



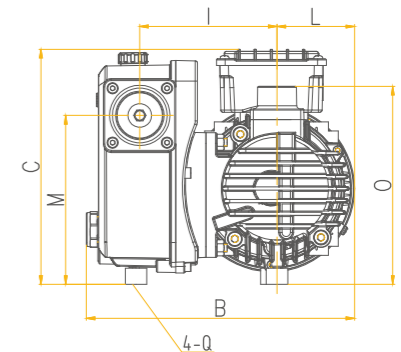
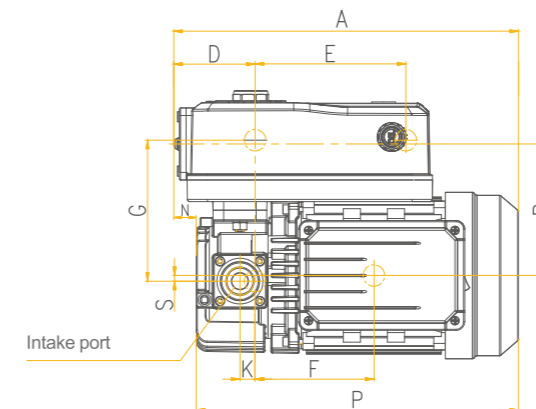
Gas ballast valve



Oil seal

Specifications

Model			VP-20
Displacement speed	50Hz	m ³ /h	20
	60Hz		24
Ultimate total pressure	Without gas ballast	mbar	/
	With gas ballast I	mbar	≤1
Ultimate total pressure	With gas ballast II	mbar	/
	With gas ballast I	mbar	15
Water vapor tolerance	With gas ballast II	mbar	/
Power supply			Single/Three-Ph
Power rating (50Hz)		kW	0.75/0.9
Level of protection			IP54
Intake and exhaust			G1/2" G3/4"/-
Oil capacity		L	0.45
Motor speed (50/60Hz)		rpm	2880/3440
Ambient temperature		°C	10-40
Noise level (50Hz)		dB	≤65
Weight		Kg	19.5
Dimension (L*W*H)		mm	317×249×219



VP Dimensions (unit:mm)

Model	A	B	C	D	E	F	G	H	I	J	K	L	M	N	O	P	Q	R	S	Intake port	Exhaust port
VP-20	318	249	219	75.5	140	110.5	131	/	127.5	/	14	72	157	21	184	299	M8	122.3	5.3	G1/2" G3/4"	/

VP-22/28/40/65/100 160/200/300

Pumping speed: 22-300m³/h Single-stage rotary vane vacuum pump

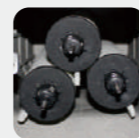


Product feature

- Excellent performance**
 Integral pump structure, require higher accuracy; Proven vanes technology, makes the performance more stable; Ensure the pump system with higher reliability.
- Excellent heat dissipation**
 Air-cooled structure, without external water cooling system, reduce the installation and maintenance costs.
- Clean and green**
 Built-in high quality oil mist filter, effectively filter oil mist, avoid oil mist pollution, protect the environment clean.
- Two-shift adjustable gas ballast valve**
 Satisfies the different requirements of vacuum degrees and the handling of water vapor.
- FKM seals**
 Improve corrosion resistance and solve the problem of oil leakage.
- Anti-suckback structure**
 Protect the vacuum system from oil contamination after shutdown.
- Compact structure**
 Integrated motor design, lighter, smaller, the size is satisfied all kinds of application.



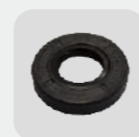
Anti-suckback valve



Built-in oil mist filter



Gas ballast valve



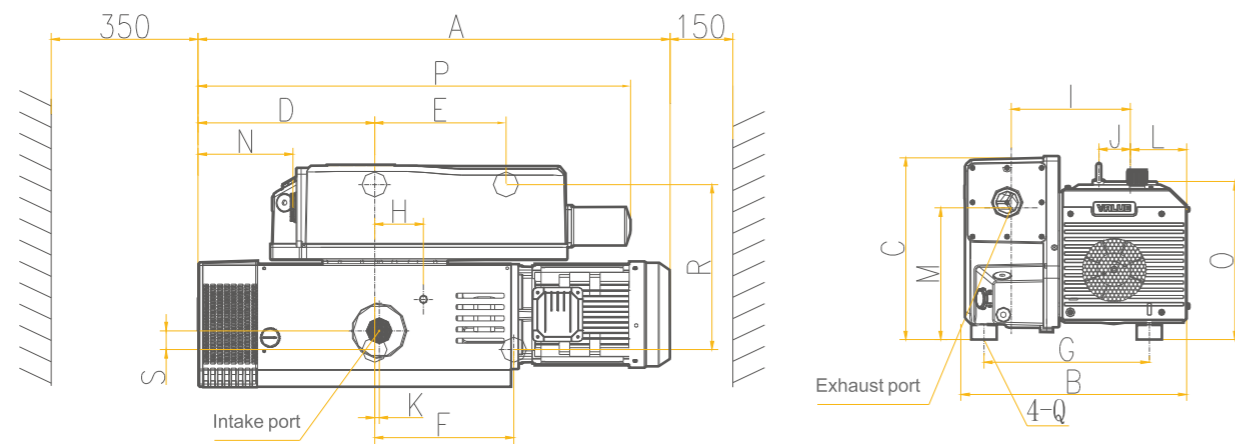
Oil seal

Specifications

Model			VP-22	VP-28	VP-40	VP-65
Displacement speed	50Hz	m ³ /h	22	28	40	55
	60Hz		26	33	48	65
Ultimate pressure	Without gas ballast	mbar	0.3	0.3	0.3	0.3
Ultimate total pressure	With gas ballast I	mbar	0.8	0.8	0.8	0.5
	With gas ballast II	mbar	2.5	2.5	2	2
Water vapor tolerance	With gas ballast I	mbar	15	15	15	15
	With gas ballast II	mbar	30	30	30	30
Power supply			Single/Three-Ph	Single/Three-Ph	Three-Ph	Three-Ph
Power rating (50Hz)	kW		1.1	1.1	1.3	1.5
Level of protection			IP54	IP54	IP54	IP54
Intake and exhaust			G3/4"	G3/4"	G1 1/4"	G1 1/4"
Oil capacity	L		1	1	2.5	2.5
Motor speed (50/60Hz)	rpm		1440/1720	1440/1720	1440/1720	1440/1720
Ambient temperature	°C		10-40	10-40	10-40	10-40
Noise level (50Hz)	dB		61	61	63	65
Weight	Kg		30	30	39.2	42.5
Dimension (L*W*H)	mm		496×268×248	496×268×248	555×304×268	555×311×268

Model			VP-100	VP-160	VP-200	VP-300
Displacement speed	50Hz	m ³ /h	100	160	200	245
	60Hz		120	190	240	300
Ultimate pressure	Without gas ballast	mbar	0.3	8×10 ⁻²	8×10 ⁻²	8×10 ⁻²
Ultimate total pressure	With gas ballast I	mbar	0.8	0.5	0.5	0.5
	With gas ballast II	mbar	≤3	≤1.5	≤1.5	≤1.5
Water vapor tolerance	With gas ballast I	mbar	15	30	30	30
	With gas ballast II	mbar	30	50	50	50
Power supply			Three-Ph	Three-Ph	Three-Ph	Three-Ph
Power rating (50Hz)	kW		3.0	5.5	5.5	7.5
Level of protection			IP54	IP54	IP54	IP54
Intake and exhaust			G1 1/4"	G2"	G2"	G2"
Oil capacity	L		2.5	6.5	6.5	8
Motor speed (50/60Hz)	rpm		1440/1720	1440/1720	1440/1720	1440/1720
Ambient temperature	°C		10-40	10-40	10-40	10-40
Noise level (50Hz)	dB		≤65	≤74	≤74	≤77
Weight	Kg		72	132	164	215
Dimension (L*W*H)	mm		703×406×286	915×533×412	932×533×412	1035×540×434

Dimension



VP Dimensions (unit:mm)

Model	A	B	C	D	E	F	G	H	I	J	K	L	M	N	O	P	Q	R	S	Intake port	Exhaust port
VP-22/28	496	268	248	112	220	300	190	108	146	25	20	80	182	27	204	392	M6	194	35	G3/4"	G3/4"
VP-40	555	304	268	149	215	200	235	58	179	51	5	72	203	33	252	464	M8	235	33	G1"1/4	G1"1/4
VP-65	555	311	268	149	215	200	254	58	189	51	5	72	203	33	252	464	M8	242	33	G1"1/4	G1"1/4
VP-100	703	406	286	165	225	225	320	131	226	42	27	91	220	61	280	578	M10	258	41	G1"1/4	G1"1/4
VP-160/200	932	533	412	263	252	305	394	113	298	66	32	135	305	134	382	918	M10	394	45	G2"	G2"
VP-300	1035	540	434	326	313	332	394	159	284	75	11	135	314	132	377	966	M10	394	45	G2"	G2"



Vacuum pump maintenance

A Ensure motor running in correct direction

Cleaning and maintenance

B	Air intake filter	Once a week
C	Air ballast valve filter	Once a month
D	Fan cover	6 months
E	Air intake mesh	6 months

F Oil filter
Change the oil every 500h to 2000h.

G Vacuum pump oil
Change the oil every 500h to 2000h. If the oil become emulsified or carbonized, oil must be changed.

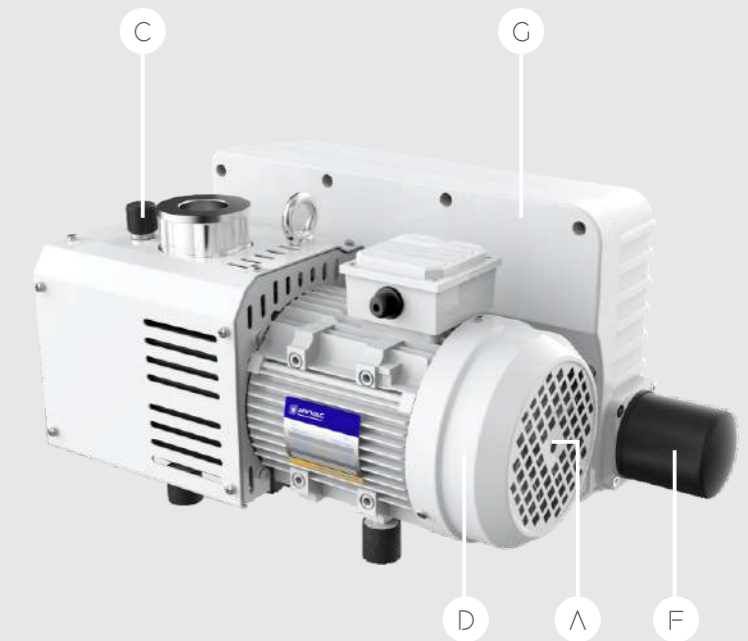
Steps of changing oil

1. Oil change after the vacuum pump runs to the hot status.
2. Unscrew the oil discharge valve, and close the oil discharge valve when the oil flow stops.
3. Restart the vacuum pump, run for a few seconds, then stop running and repeat step 2.
4. Replace the oil.
5. Power on after filling new oil.
6. If the pump oil is too dirty, it needs to clean the vacuum pump, the simple way is as follows: Close the air inlet port, filling new oil and run for 1 hour. Then repeat steps 1-5.

* For detailed steps, please refer to <installation instructions> or contact us.

H Oil glass daily check

I Oil mist filter
Replace the oil mist filter every 6-12 months or smoke occurs.



Special Remark

When the vacuum pump is working, in case of sudden abnormal sound, temperature rise, abnormal current, etc., please stop immediately for inspection and call VALUE for consultation.
If you have any assistance to our products, please feel free to contact us, we will do our best to provide you with a full range of professional services.

Meet All Your Needs



Refrigeration industry:

Automatic pumping line of refrigerator, air-condition water dispenser; refrigerant charging machine; helium leak detector; helium recovery system etc.



Medical industry:

Plasma sterilizers, vacuum freeze drying, vacuum mixing etc. Considering there is a large amount of H₂O, gas and water vapor which will be exhausted into vacuum pump, value designed weak corrosion-resistant vacuum pump HVP-C series.



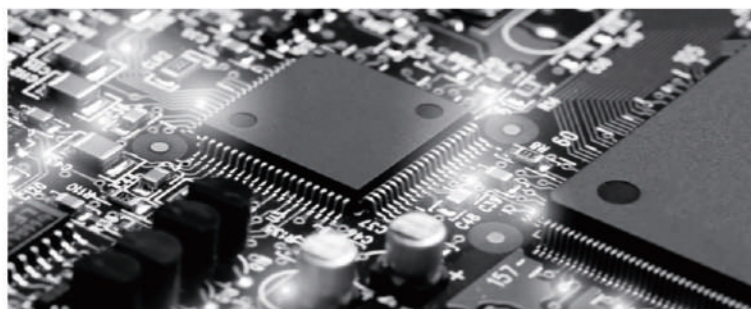
Analytical instruments:

Spectrometer, scanning electron microscope, leak detector, physics & chemistry analytical instrument etc.



Power industry:

Sf₆ gas recovery, detecting instrument, oil filter etc.



Electronics, semi-conductor industry:

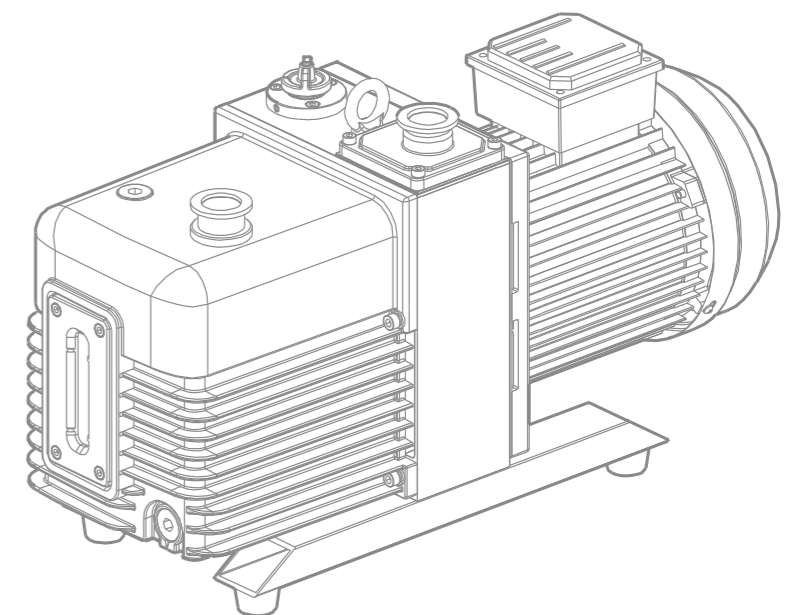
Vacuum oven, glove box, sapphire furnace, polycrystalline furnace, single crystal furnace, vacuum annealing, hardening furnace, vacuum sintering furnace, heat treatment furnace, evaporation coating, ion plating, sputtering equipment, LC injection, plasma cleaning, roughing pump for roots pump, molecular pump, diffusion pump.

VACUUM PUMP

HVP

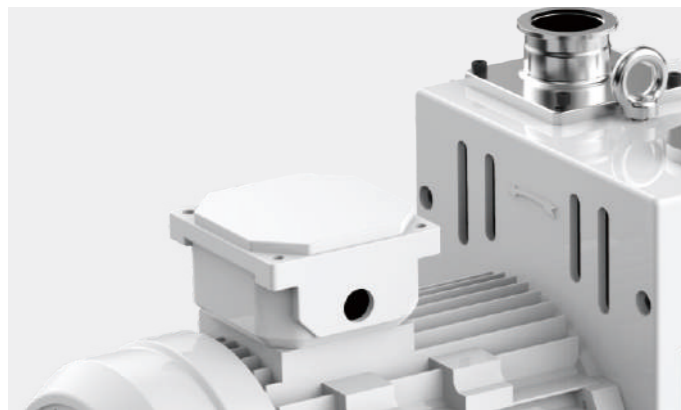
Dual-stage Rotary Vane Vacuum Pump

Constantly pursuing on highest technology norms, MYVAC's HVP series vacuum pump reached new highest level: integrated pump body structure and innovative oil circulation system lead to super stability. auto anti-sucking back valve and two shifts gas ballast makes best reliability. Perfect combination of technology and aesthetics helps to become classic.



HVP-4/8/16/24/30 48/65/90

Pumping speed: 4-90m³/h Dual-stage rotary vane vacuum pump



Product Feature

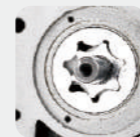
- Excellent performance**
 Integral pump structure, require higher accuracy; Proven vanes technology, makes the performance more stable; Ensure the pump system with higher reliability.
- Excellent heat dissipation**
 Air-cooled structure, without external water cooling system, reduce the installation and maintenance costs.
- Forced lubrication**
 Built-in gear pump and constant pressure oil supply mechanism forced oil supply, ensure the stable and reliable operation under high suction pressure.
- Two-shift adjustable gas ballast valve**
 Meet customer's vacuum requirement and steam handling capacity.
- FKM seals**
 Improve corrosion resistance and solve the problem of oil leakage.
- Double anti-suck back structure**
 Automatically prevent oil suck back, and more reliably protects your vacuum system from oil contamination after vacuum pump shutdown.
- High quality oil mist filter (for option)**
 Effectively filter oil mist, protect the environment clean.



Gas ballast



Auto anti-suckback valve



Gear pump



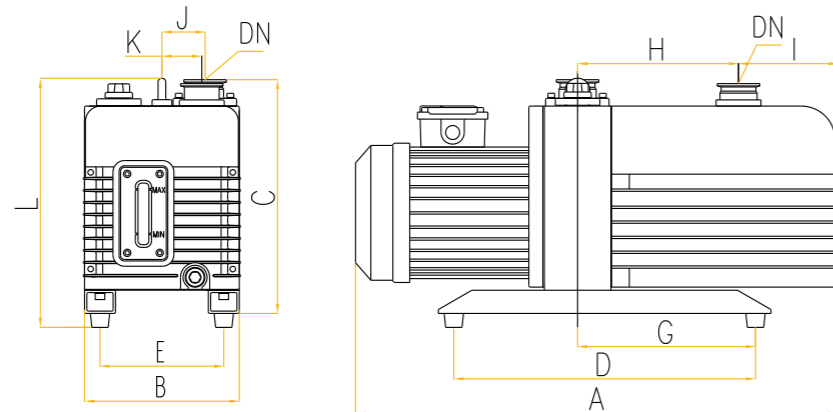
Integrated pump body structure

Specifications

Model			HVP-4	HVP-8	HVP-16	HVP-24
Displacement speed	50Hz	m ³ /h (L/s)	4(1.1)	8(2.2)	16(4.4)	24(6.6)
	60Hz		4.8(1.3)	9.6(2.6)	19.2(5.2)	28.8(7.9)
Ultimate partial pressure gas ballast close		Pa	5×10 ⁻²	5×10 ⁻²	4×10 ⁻²	4×10 ⁻²
Ultimate total pressure gas ballast close		Pa	5×10 ⁻¹	5×10 ⁻¹	4×10 ⁻¹	4×10 ⁻¹
Ultimate total pressure gas ballast open		Pa	10	10	8×10 ⁻¹	8×10 ⁻¹
Power supply			Single/Three-Ph	Single/Three-Ph	Single/Three-Ph	Single/Three-Ph
Power rating		kW	0.4/0.37	0.4/0.37	0.75/0.55	1.1/0.75
Level of protection			IP44	IP44	IP44	IP44
Intake and exhaust			KF16/25	KF16/25	KF25	KF25/40
Oil capacity		L	0.6~1.0	0.6~1.0	0.9~1.5	1.3~2.0
Motor speed (50/60Hz)		rpm	1440/1720	1440/1720	1440/1720	1440/1720
Ambient temperature		°C	10-40	10-40	10-40	10-40
Noise level (50Hz)		dB	≤52	≤52	≤58	≤58
Weight		kg	19	21	30	35
Dimension (L*W*H)		mm	440x144x217	440x144x217	530x188x272	567x188x272

Model			HVP-30	HVP-48	HVP-65	HVP-90
Displacement speed	50Hz	m ³ /h (L/s)	30(8.3)	48(13.3)	65(18)	85(23.6)
	60Hz		36(9.9)	57.6(16)	78(21.6)	102(28.3)
Ultimate partial pressure gas ballast close		Pa	4×10 ⁻²	4×10 ⁻²	4×10 ⁻²	4×10 ⁻²
Ultimate total pressure gas ballast close		Pa	4×10 ⁻¹	4×10 ⁻¹	4×10 ⁻¹	4×10 ⁻¹
Ultimate total pressure gas ballast open		Pa	8×10 ⁻¹	1.5	1.5	1.5
Power supply			Single/Three-Ph	Three-Ph	Three-Ph	Three-Ph
Power rating		kW	1.1	1.5	2.2	3
Level of protection			IP44	IP44	IP44	IP44
Intake and exhaust			KF25/40	KF40	KF40	KF40
Oil capacity		L	1.3~2.0	3.3~4.5	3.3~4.5	3.3~4.5
Motor speed (50/60Hz)		rpm	1440/1720	1440/1720	1440/1720	1440/1720
Ambient temperature		°C	10-40	10-40	10-40	10-40
Noise level (50Hz)		dB	≤58	≤62	≤62	≤65
Weight		kg	43	62	65	65
Dimension (L*W*H)		mm	567x188x272	730x234x358	730x234x358	730x234x358

Dimension



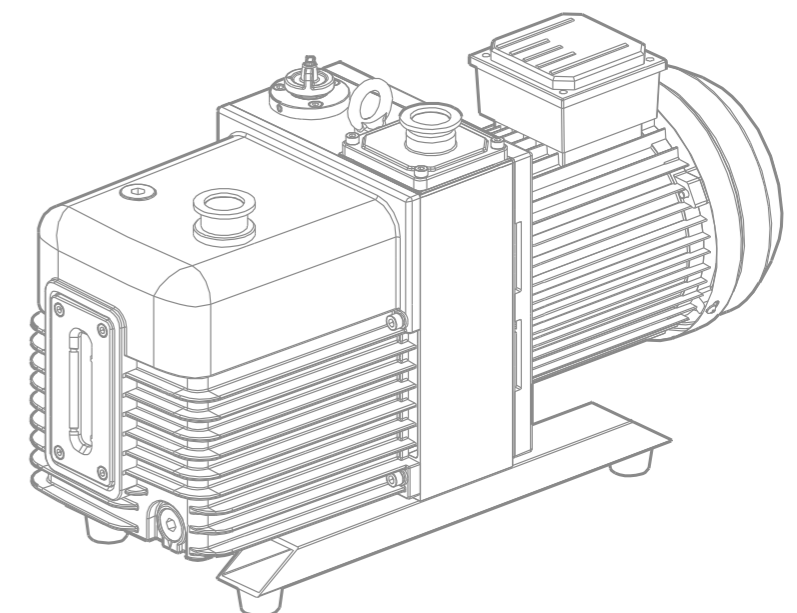
VRD Dimensions (unit:mm)												
Model	A	B	C	D	E	G	H	I	J	K	L	DN
HVP-4	440	144	217	210	110	95	143.5	45	45	34	/	KF16/25
HVP-8	440	144	217	210	110	95	143.5	45	45	34	/	KF16/25
HVP-16	530	188	272	320	148	160	165	69	59	38	295	KF25
HVP-24	567	188	272	320	148	160	185	82	59	47	295	KF25/40
HVP-30	567	188	272	320	148	160	185	82	59	47	295	KF25/40
HVP-48	730	234	358	396	190	200	223	157	69	55	390	KF40
HVP-65	730	234	358	396	190	200	223	157	69	55	390	KF40
HVP-90	730	234	358	396	190	200	223	157	69	55	390	KF40

VACUUM PUMP

HVP-C

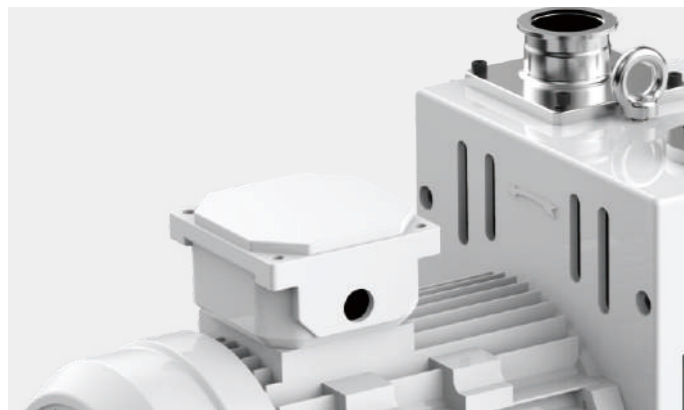
Dual-stage Anti-corrosion Rotary Vane Vacuum Pump

According to the special application of corrosion resistant conditions, we carried out a special analysis and research. The gases pumped in these industries mostly contain a lot of corrosive gases and water vapor, so we use stainless steel spring, fluoroelastomer sealing ring, corrosion resistant pump body to upgrade our pump, so as to ensure the stable and reliable operation of our products in this field of application.



VRD-8C/16C/30C 48C/65C

Pumping speed: 8-65m³/h
Dual-stage anti-corrosion rotary vane vacuum pump



Product Feature

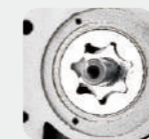
- Excellent performance**
 Integral pump structure, require higher accuracy; Proven vanes technology, makes the performance more stable; Ensure the pump system with higher reliability.
- Anti-corrosion**
 Special process treatment of pump body can reduce the corrosion and pollution of chemical substances which pumped into the pump body.
- Excellent heat dissipation**
 Air-cooled structure, without external water cooling system, reduce the installation and maintenance costs.
- Forced lubrication**
 Built-in gear pump and constant pressure oil supply mechanism forced oil supply, ensure the stable and reliable operation under high suction pressure.
- Two-shift adjustable gas ballast valve**
 Satisfies the different requirements of vacuum degrees and the handling of water vapor.
- Double anti-suck back structure**
 Automatically prevent oil suck back, and more reliably protects your vacuum system from oil contamination after vacuum pump shutdown.
- High quality oil mist filter (for option)**
 Effectively filter oil mist, protect the environment clean.



Gas ballast



Auto anti-suckback valve



Gear pump



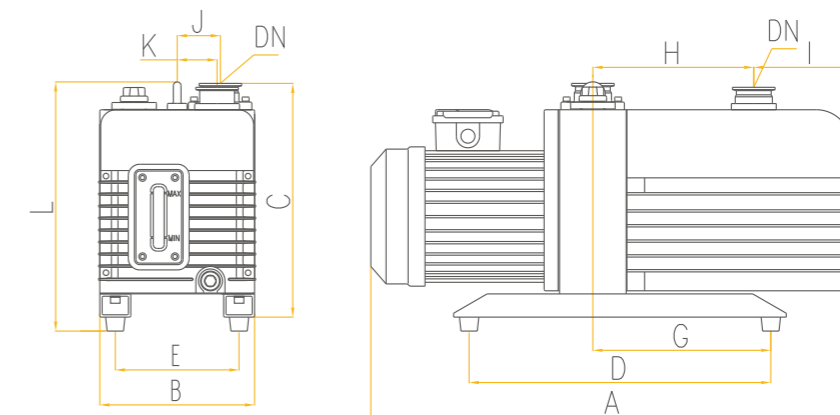
Integrated pump body structure



Specifications

Model			HVP-8C	HVP-16C	HVP-30C	HVP-48C	HVP-65C
Displacement speed	50Hz	m ³ /h (L/s)	8(2.2)	16(4.4)	30(8.3)	48(13.3)	65(18)
	60Hz		9.6(2.6)	19.2(5.2)	36(9.9)	57.6(16)	78(21.6)
Ultimate partial pressure gas ballast close	Pa		5×10 ⁻²	4×10 ⁻²	4×10 ⁻²	4×10 ⁻²	4×10 ⁻²
Ultimate total pressure gas ballast close	Pa		5×10 ⁻¹	4×10 ⁻¹	4×10 ⁻¹	4×10 ⁻¹	4×10 ⁻¹
Ultimate total pressure gas ballast open	Pa		10	8×10 ⁻¹	8×10 ⁻¹	1.5	1.5
Power supply			Single/Three-Ph	Single/Three-Ph	Single/Three-Ph	Three-Ph	Three-Ph
Power rating	kW		0.4/0.37	0.75/0.55	1.1	1.5	2.2
Level of protection			IP44	IP44	IP44	IP44	IP44
Intake and exhaust			KF16/25	KF25	KF25/40	KF40	KF40
Oil capacity	L		0.6~1.0	0.9~1.5	1.3~2.0	3.3~4.5	3.3~4.5
Motor speed (50/60Hz)	rpm		1440/1720	1440/1720	1440/1720	1440/1720	1440/1720
Ambient temperature	°C		10-40	10-40	10-40	10-40	10-40
Noise level (50Hz)	dB		≤52	≤58	≤58	≤62	≤62
Weight	kg		21	30	43	62	65
Dimension (L*W*H)	mm		440x144x217	530x188x272	567x188x272	730x234x358	730x234x358

Dimension



HVP-C Dimensions (unit:mm)

Model	A	B	C	D	E	G	H	I	J	K	L	DN
HVP-8C	440	144	217	210	110	95	143.5	45	45	34	/	KF16/25
HVP-16C	530	188	272	320	148	160	165	69	59	38	295	KF25
HVP-30C	567	188	272	320	148	160	185	82	59	47	295	KF25/40
HVP-48C	730	234	358	396	190	200	223	157	69	55	390	KF40
HVP-65C	730	234	358	396	190	200	223	157	69	55	390	KF40

Meet All Your Needs



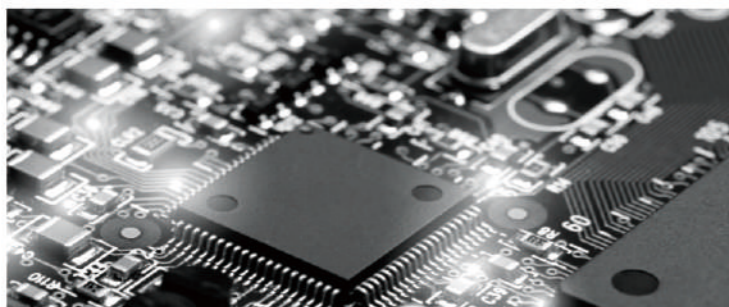
Laboratory equipment, analytical instruments, laser applied equipment.



Mini-type food packaging machine, vacuum moulding machine.



Vacuum exhaust station, auxiliary pump for scanning electron microscope.



Semiconductor manufacturing equipment, sputtering equipment, evaporation coating equipment



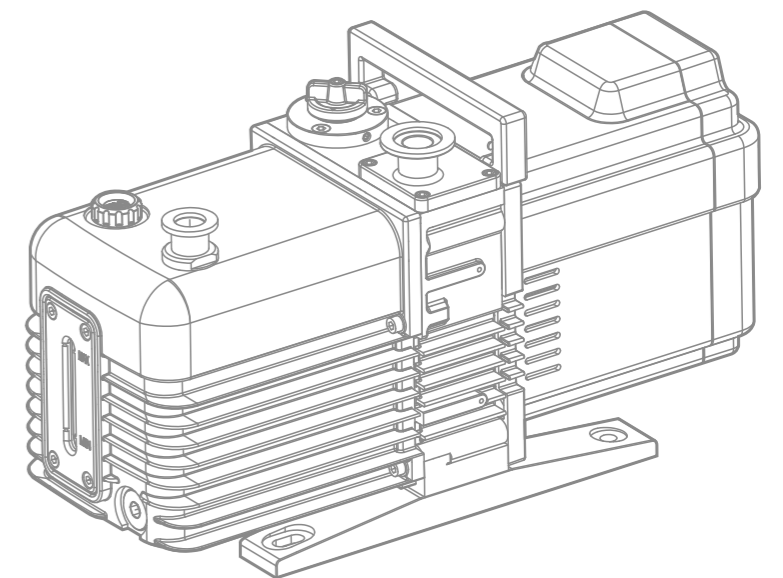
Vacuum freeze drying equipment, medical instrument.

VACUUM PUMP

HDC

Dual-stage DC Brushless Rotary Vane Vacuum Pump

MYVAC continuously pursues the innovative technology and high standard of products, we has developed the new DC brushless motor -- HDC series. HDC series rotary vane pump adopts low power motor, energy saving and environment friendly. The low noise design is very suitable for the application condition with high requirements of silence, especially in the experimental instrument industry.



HDC-4/8/12

Pumping speed: 4-12m³/h
Dual-stage DC brushless rotary vane vacuum pump



Product Feature

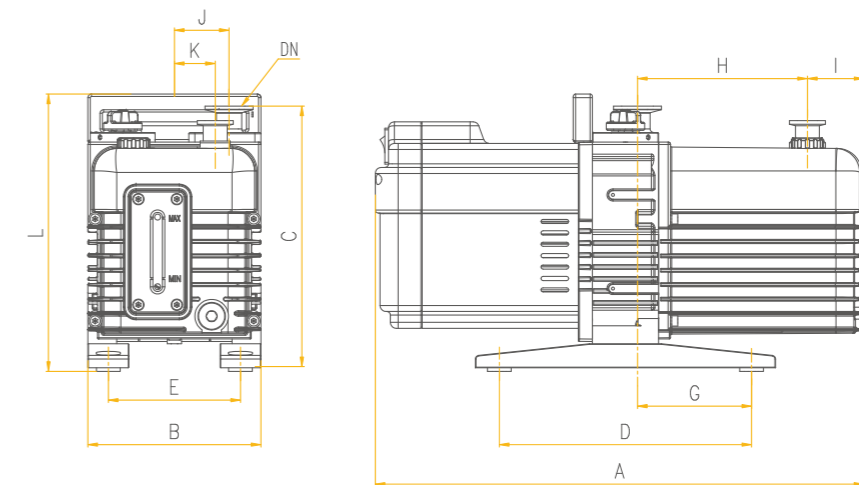
- Excellent performance**
 Integral pump structure, require higher accuracy; Proven vanes technology, makes the performance more stable; Ensure the pump system with higher reliability.
- Brushless DC motor**
 Low energy consumption, save cost; Small size, light weight, easy to install.
- Low noise**
 Quiet in operation, let you work at ease.
- Forced lubrication**
 Built-in gear pump and constant pressure oil supply mechanism forced oil supply, ensure the stable and reliable operation under high suction pressure.
- Gas ballast**
 Meet customers' vacuum requirement and steam handling capacity.
- FKM seals**
 Improve corrosion resistance and solve the problem of oil leakage.
- Double anti-suck back structure**
 Automaticly prevent oil suck back, and more reliably protects your vacuum system from oil contamination after vacuum pump shutdown.
- High quality oil mist filter**
 Effectively filter oil mist, protect the environment clean.
- Anti-corrosion (for option)**



Specifications

Model		HDC-4	HDC-8	HDC-12
Displacement speed	m ³ /h (L/s)	4 (1.1)	8 (2.2)	11 (3.0)
Ultimate partial pressure gas ballast close	Pa	5×10 ⁻²	5×10 ⁻²	5×10 ⁻²
Ultimate total pressure gas ballast close	Pa	5×10 ⁻¹	5×10 ⁻¹	5×10 ⁻¹
Ultimate total pressure gas ballast open	Pa	10	10	10
Power supply		Single	Single	Single
Power rating	kW	0.37	0.37	0.37
Level of protection		IP44	IP44	IP44
Intake and exhaust		KF16/25	KF16/25	KF16/25
Oil capacity	L	0.6~1.0	0.6~1.0	0.6~1.0
Motor speed (50/60Hz)	rpm	800	1500	1850
Ambient temperature	°C	5-40	5-40	5-40
Noise level	dB	≤50	≤52	≤52
Weight	Kg	14.5	15.5	15.5
Dimension (L*W*H)	mm	420x144x207	420x144x207	420x144x207

Dimension



HDC Dimensions (unit:mm)

Model	A	B	C	D	E	G	H	I	J	K	L	DN
HDC-4	407	144	218	210	110	95	143.5	45	45.5	34	231	KF16/25
HDC-8	407	144	218	210	110	95	143.5	45	45.5	34	231	KF16/25
HDC-12	407	144	218	210	110	95	143.5	45	45.5	34	231	KF16/25

Meet All Your Needs



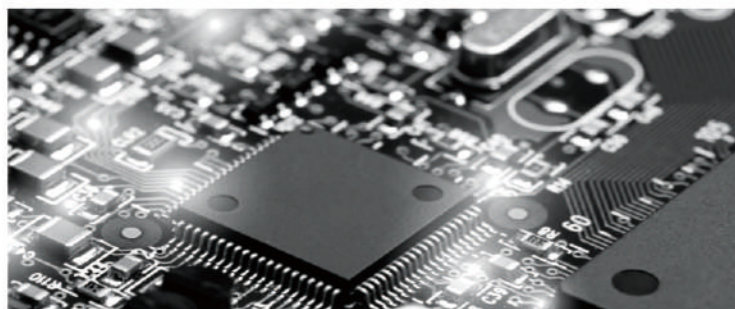
Laboratory equipment, analytical instruments, laser applied equipment.



Mini-type food packaging machine, vacuum moulding machine.



Vacuum exhaust station, auxiliary pump for scanning electron microscope.



Semiconductor manufacturing equipment, sputtering equipment, evaporation coating equipment



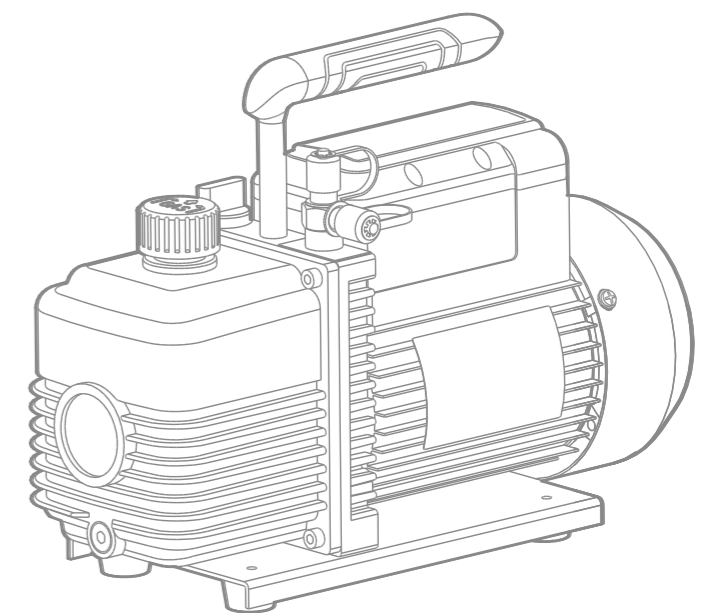
Vacuum freeze drying equipment, medical instrument.

VACUUM PUMP

HRI

Dual-stage Rotary Vane Vacuum Pump

Rotary vane technology simplified the processing of vacuum pump. Integrated pump body structure, good material and advanced precise machining guarantee the pump to continuously running with stable and high ultimate pressure. Forced oil pump lubrication system guarantees high reliability and the big sight glass design in case of oil shortage.



HRI-2/4/8

Smaller and Lighter Dual-stage rotary vane vacuum pump



Product Feature

- Excellent performance**
 Integral pump structure, require higher accuracy;
 Proven vanes technology,
 makes the performance more stable;
 Ensure the pump system with higher reliability.
- Forced lubrication**
 Built-in gear pump and constant pressure oil
 supply mechanism forced oil supply,
 ensure the stable and reliable operation under
 high suction pressure.
- Electric solenoid valve**
 Maintain system vacuum degree after power-off,
 prevent the oil suckback.
- Compact structure**
 Integrated design between pump and motor,
 lighter, smaller, the size is satisfied all kinds
 of application.



Electric solenoid valve



Oil pump



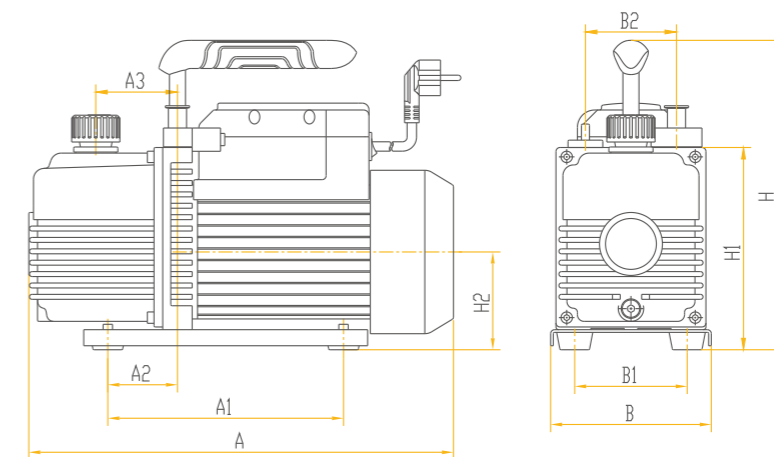
Big sight glass design



Integrated pump body structure

Specifications

Model			HRI-2	HRI-4	HRI-8
Displacement speed	50Hz	m ³ /h (L/s)	2.0(0.6)	4.0(1.1)	8.0(2.2)
	60Hz		2.4(0.7)	4.8(1.3)	9.6(2.7)
Ultimate partial pressure gas ballast close		Pa	1×10 ⁻¹	1×10 ⁻¹	1×10 ⁻¹
Ultimate total pressure gas ballast close		Pa	3	3	3
Ultimate total pressure gas ballast open		Pa	/	20	20
Power supply			Single	Single	Single
Power rating		kW	0.25	0.37	0.55
Level of protection			IP44	IP44	IP44
Intake and exhaust			KF16	KF16	KF16
Oil capacity		L	0.2	0.3	0.5
Motor speed	50Hz	rpm	1440	1440	1440
	60Hz		1720	1720	1720
Ambient temperature		°C	5-40	5-40	5-40
Noise level (50Hz)		dB	≤62	≤62	≤65
Weight		kg	9	11	17
Dimension (L*W*H)		mm	318x124x234	337x138x244	395x145x257



HRI Dimensions (unit:mm)

Model	A	A1	A2	A3	B	B1	B2	H	H1	H2
HRI-2	318	144	40	61	124	84	68	234	154	76
HRI-4	337	144	40	61	138	84	74	244	166	78
HRI-8	395	174	66	85	145	99	74	257	178	86

Original Accessory



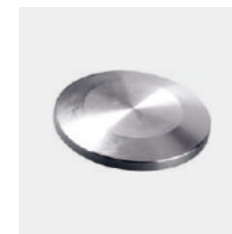
Clamp
 Model: 320570201 VPS216
 Applies to HVP-4/8/8C
 Model: 320570101 VPS225
 Applies to HVP-4/8/8C/16/16C/24/24C/30/30C
 Model: 320570301 VPS240
 Applies to HVP-24/24C/30/30C/48/48C/65/65C



Centering Ring
 Model: 320580201 VPS316
 Applies to HVP-4/8/8C
 Model: 320580101 VPS325
 Applies to HVP-4/8/8C/16/16C/24/24C/30/30C
 Model: 320580301 VPS340
 Applies to HVP-24/24C/30/30C/48/48C/65/65C



Filter
 Model: 320340202 VPS416
 Applies to HVPD-4/8/8C
 Model: 320340102 VPS425
 Applies to HVP-4/8/8C/16/16C/24/24C/30/30C
 Model: 320340302 VPS440
 Applies to HVP-24/24C/30/30C/48/48C/65/65C
 Model: 320340201 VPS425A
 Applies to HVP-4/8/8C
 Model: 320340101 VPS440A
 Applies to HVP-24/24C/30/30C



Flange
 Model: 320290310 VPS516
 Applies to HVP-4/8/8C
 Model: 320290110 VPS525
 Applies to HVP-4/8/8C/16/16C/24/24C/30/30C
 Model: 320290410 VPS540
 Applies to HVP-24/24C/30/30C/48/48C/65/65C



Pump Oil
 Model: 5080134 VPO-46H
 Applies to HVP-20; HVP-4/8/8C
 Model: 5080116 VPO-68H
 Applies to HVP-20/22/28/40/65/100/160/200/300
 HVP-16/16C/24/24C/30/30C
 Model: 5080118 VPO-100H
 Applies to HVP-48/48C/65/65C/90/90C



Plastic Vacuum Pipe
 Model: 322020101 TS-25; inner diameter d:25
 Model: 322050201 TS-19; inner diameter d:19
 Model: 322050301 TS-15; inner diameter d:15
 Model: 322050401 TS-12; inner diameter d:12

MYVAC provide customers with full range of genuine parts including oil mist filters, vacuum pump oil, and third party components. We try our best to satisfy our customers requirements and our technical team is always ready to help for selection of correct parts. Meanwhile, our professional will help you to make best choice.



Oil Mist Filter
 Model: 320750611
 Applies to VP-20
 Model: 320750621
 Applies to VP-22/28
 Model: 320750601
 Applies to VP-40/65/100
 Model: 320750404
 Applies to VP-160/200/300



Gas Ballast Element
 Model: 321240111
 Applies to VP-20/22/28/40/65
 Model: 321240131
 Applies to VP-100
 Model: 312000101
 Applies to VP-160/200/300



Clamp
 Model: 320575001
 FS-35; Applies to $\Phi 25-\Phi 35$
 Model: 320575011
 FS-30; Applies to $\Phi 22-\Phi 30$
 Model: 320575021
 FS-25; Applies to $\Phi 18-\Phi 25$
 Model: 320575031
 FS-20; Applies to $\Phi 13-\Phi 20$



Air Inlet Connector
 Model: 320350401
 cross joint



Oil Filter
 Model: 320750421
 Applies to VP-040/065/100
 Model: 320750501
 Applies to VP-160/200/300



O-ring
 Model: 300310120 VPS116
 Applies to HVP-4/8/8C
 Model: 300310070 VPS125
 Applies to HVP-4/8/8C/16/16C/24/24C/30/30C
 Model: 300310127 VPS140
 Applies to HVP-24/24C/30/30C/48/48C/65/65C



Quick Self-sealing Connector (F)
 Model: 320355021
 ZG1/4-19
 Model: 320355001
 ZG3/8-19



Joint (M)
 Model: 320355031
 ZG1/4
 Model: 320355011
 ZG3/8



Air Duct (transit joint)

Model: 322040211 ZG1/4D25
 Model: 322040221 ZG1/4D19
 Model: 322040231 ZG1/4D15
 Model: 322040241 ZG1/4D12
 Model: 322040251 ZG1/4D8
 Model: 322040201 ZG3/8D25



Tube Joints

Produce the product according to the customer's request



Single-stage vacuum pump air inlet filter cartridge

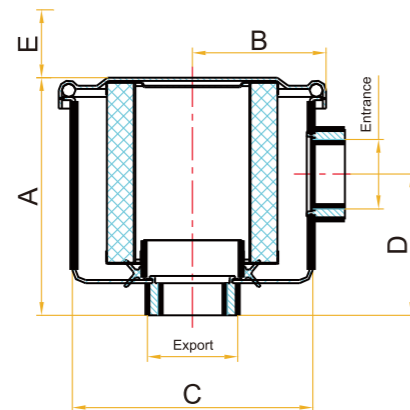
Model: 120002008
 Applies to VP-020/022/028
 Model: 120002007
 Applies to VP-040/065/100
 Model: 120002006
 Applies to VP-160/200/300



Dual-stage vacuum pump oil mist filter cartridge

Model: 320710201
 Applies to HVP-4/8
 Model: 320710101
 Applies to HVP-16/24/30
 Model: 320710301
 Applies to HVP-48/65

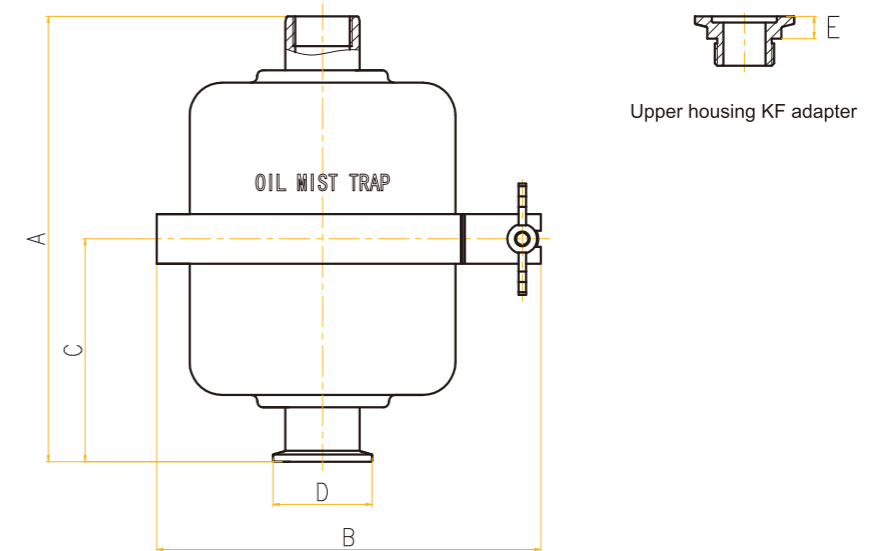
Structural Dimension Drawing



Single-stage vacuum pump air inlet filter's shape and dimension

Model	Inlet Port outlet Port	A	B	C	D	E	Weight	Polyester	m ³ /h	Applicable models
120002005	3/4"	95	57	95	48	76	0.4 Kg	825	43	VP-20/22/28
120002004	1 1/4"	111	83	149	67	83	1.4 Kg	843	94	VP-40/65/100
120002003	2"	260	116	222	127	235	6.8 Kg	851	493	VP-160/200/300

Structural Dimension Drawing



Dual-stage vacuum pump oil mist filter's shape and dimension

Model	A	B	C	D	E	Applicable model
921001101	140	110	70	KF16	9	HVP-4/8/8C
921001103	140	110	70	KF25	9	HVP-4/8/8C
921001001	180	170	90	KF25	9	HVP-16/24/30
921000302	245	153	150	KF40	15	HVP-48/65/16C/24C/30C/48C/65C

